

NEW!



Explosionproof luminaire, surface

2x9W / 2x11W / 4x9W / 4x11W / 4x17W

EXP 03 MLED



IP 66

IP 67

220-240V
AC/DC

LED

Ex
Zone 2,22

+40°C

-20°C

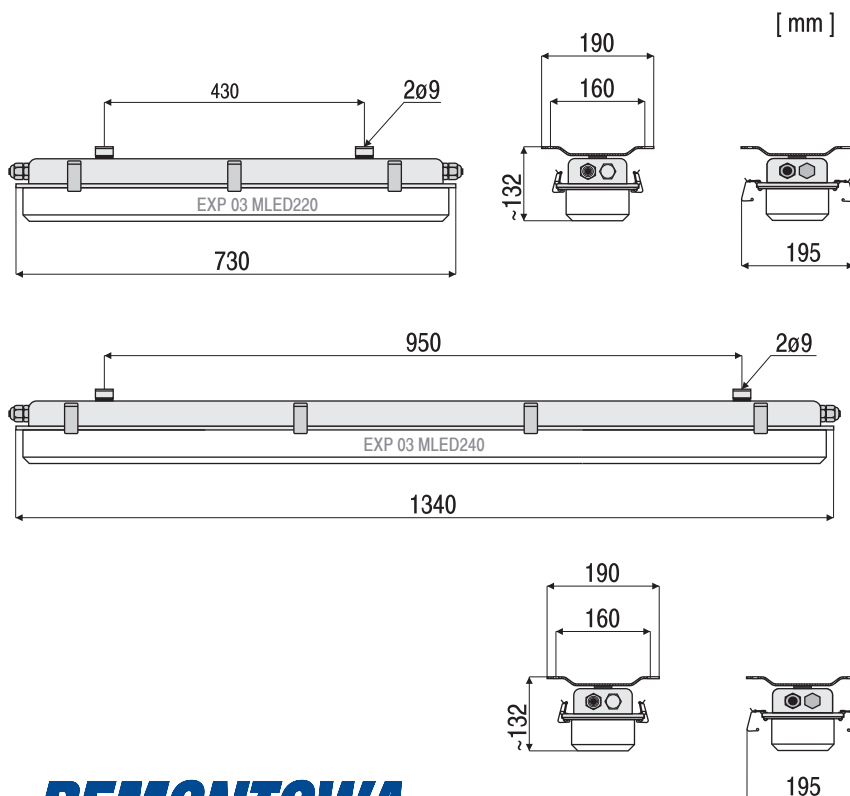
Type	Luminaire wattage	Colour temp. CRI	Panel flux	Luminaire flux	Equivalent T8	Weight
EXP 03-MLED220/209/840	19W	4000 K CRI=80	2650 lm	2350 lm	2 x 18W	3,3 kg
EXP 03-MLED220/211/840	25W		3760 lm	3270 lm	3 x 18W	3,3 kg
EXP 03-MLED240/409/840	39W		5300 lm	5050 lm	2 x 36W	5,7 kg
EXP 03-MLED240/411/840	50W		7520 lm	6520 lm	3 x 36W	5,7 kg
EXP 03-MLED240/417/840	50W		10320 lm	8440 lm	2 x 58W	5,7 kg

Application
hazardous zone 2, 22

Ex marking
II 3G Ex nA IIC T4 Gc
II 3D Ex tc IIIC T65°C IP 66/67 Dc
Insulation class
1

Housing
zinc coated steel, seamless deep drawn,
powder coated white
Diffuser
clear polycarbonate
Light source life time
> 50 000 h
Electric
flexible wiring, heat resistant up to +105°C

Cable entry
standard - 2 cable glands (M25 poliamide)
+ 2 blanking plug
Mounting
2 brackets with
2 mounting holes ø 9 mm



OPTIONS

Battery Backup System 3h

Stainless Steel 316L Housing

SC-Glands for screen cable

12-24V DC